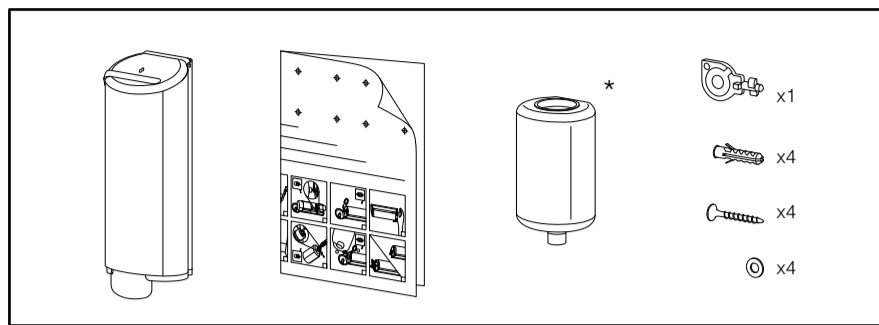


MILANO

ALUMINUM DISPENSER

MI-SO/05 - ALUMINUM SOAP DISPENSER WITH HARD CARTRIDGE OR REFILLABLE (CAPACITY 0,5 l)
 MI-SO/10 - ALUMINUM SOAP DISPENSER WITH HARD CARTRIDGE OR REFILLABLE (CAPACITY 1 l)
 MI-SO/15 - ALUMINUM SOAP DISPENSER WITH HARD CARTRIDGE OR REFILLABLE (CAPACITY 1,5 l)
 MI-SO/20 - ALUMINUM SOAP DISPENSER WITH HARD CARTRIDGE OR REFILLABLE (CAPACITY 2 l)

 = HARD CARTRIDGE  = REFILLABLE



* Refillable version only

