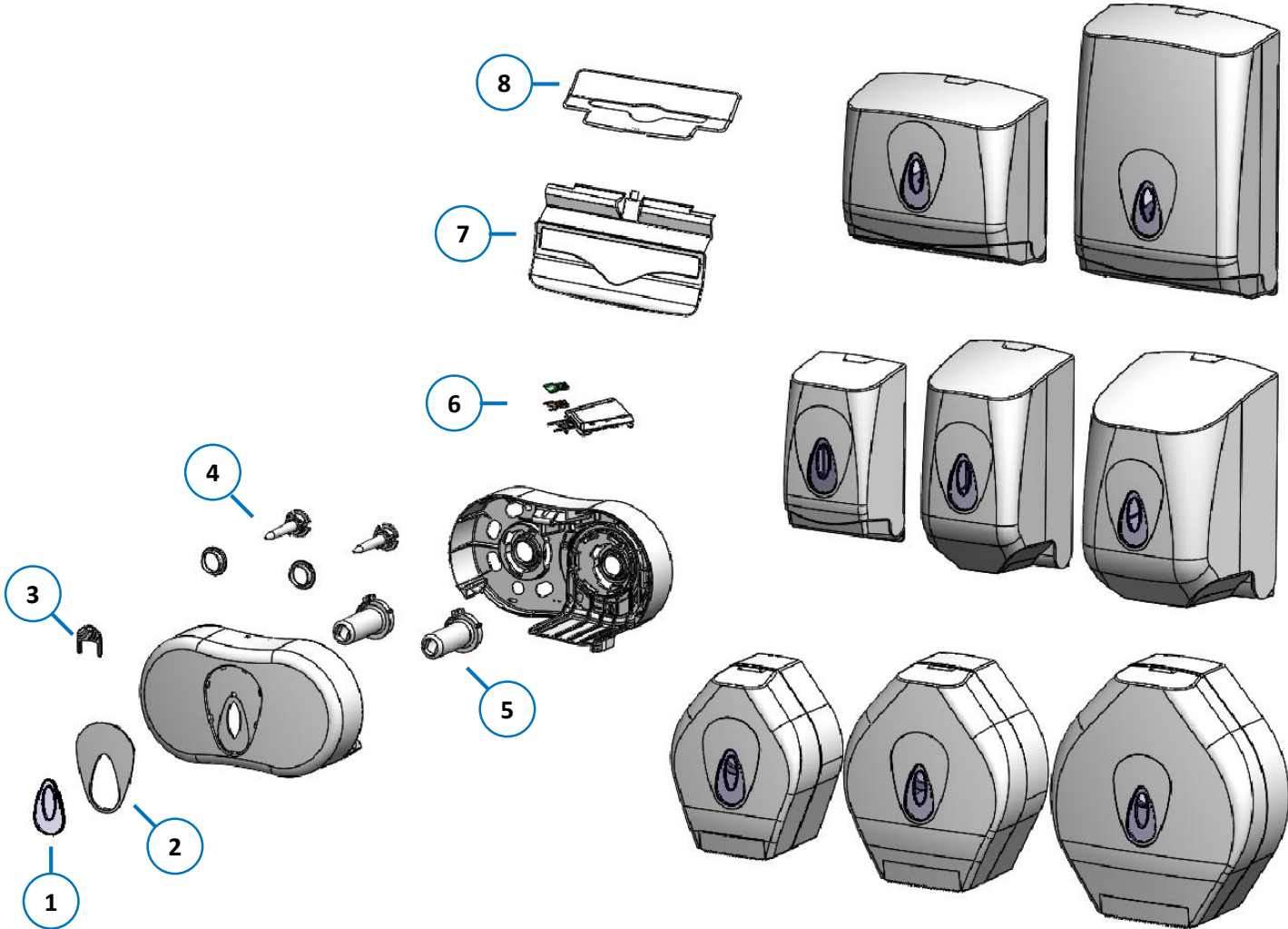


BRIGHTWELL

REVOLUTIONARY DISPENSING SOLUTIONS



Paper Spares Diagram

Item	Stock Code	Description
1	SBW6570	Blue Window x 10
	SBW6571	Clear Window x 10
	SBW6572	Grey Window x 10
	SBW6573	Green Window x 10
	SBW6575	Orange Window x 10
	SBW6576	Red Window x 10
	SBW6577	Yellow Window x 10
2	SBW8200	Modular Tissue Plaque Plain x 100
3	SBW6804	MSD / Autocut Key x 10
4	SBW6589	Modular Micro Twin Jumbo Spigot
5	SBW6590	Modular Micro Twin Jumbo Spigot Core
6	SBW6596	Myriad / MSD Centre pull Paper Cutter
7	SBW6598	Hand Towel Restrictor x 5
8	SBW6583	Hand Towel Adaptor Plate x 5

BRIGHTWELL DISPENSERS LTD

Unit 1, Rich Industrial Estate, Avis Way, Newhaven, East Sussex, BN9 0DU, UK

T +44 (0)1273 513 566 F +44 (0)1273 516 134 E sales@brightwell.co.uk W brightwell.co.uk

VAT No: GB 100 1998 47. Company registration No: 0661996. Registered in England.

BRIGHTWELL
REVOLUTIONARY DISPENSING SOLUTIONS